

**NOTES:**

1. See SHEET 2 for rebar detail.
2. Reflects .75" felt allowance.
3. Spacing varies for each tank size. See PIER INSTALLATION drawing.
4. MATERIAL: 4000psi CONCRETE
5. 3" I.D. Schedule 40 THRU (2)
6. GRADE may vary.
7. Engineering, data and/or additional information available upon request.

TOLERANCES: INCHES  
 FRACTIONAL ± 1/8  
 ANGULAR ± 1°

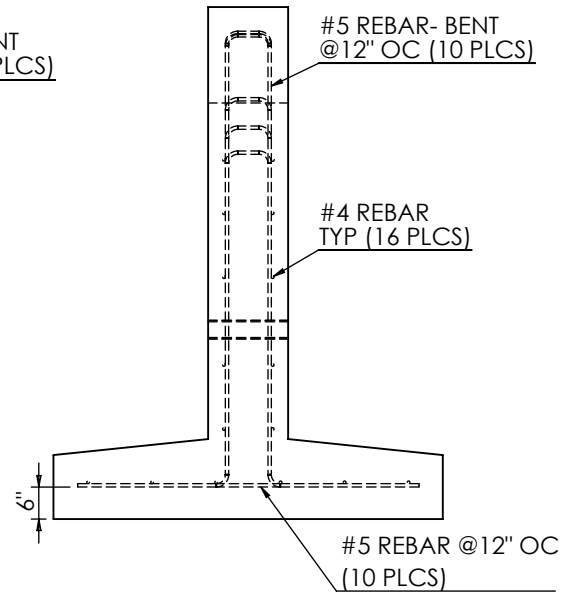
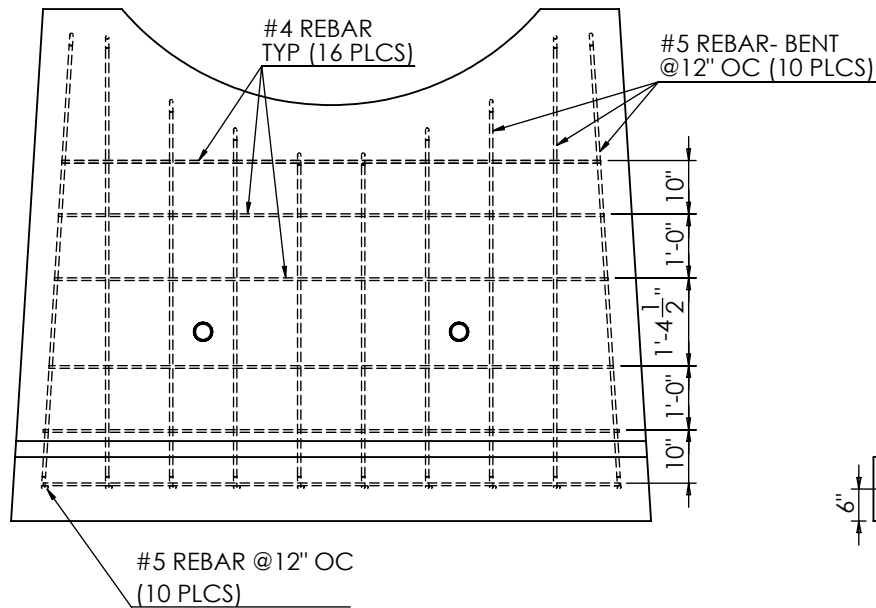
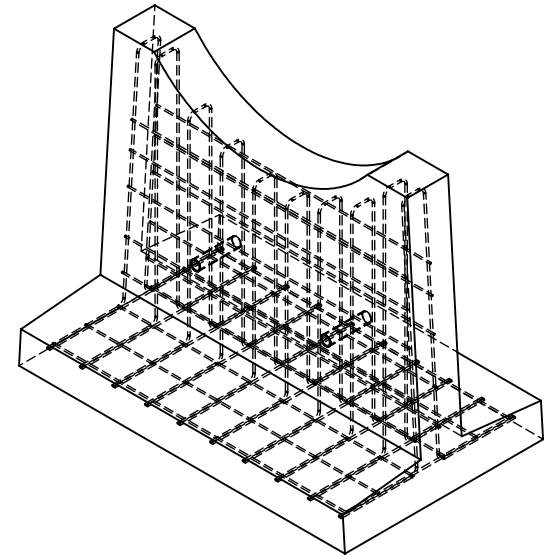
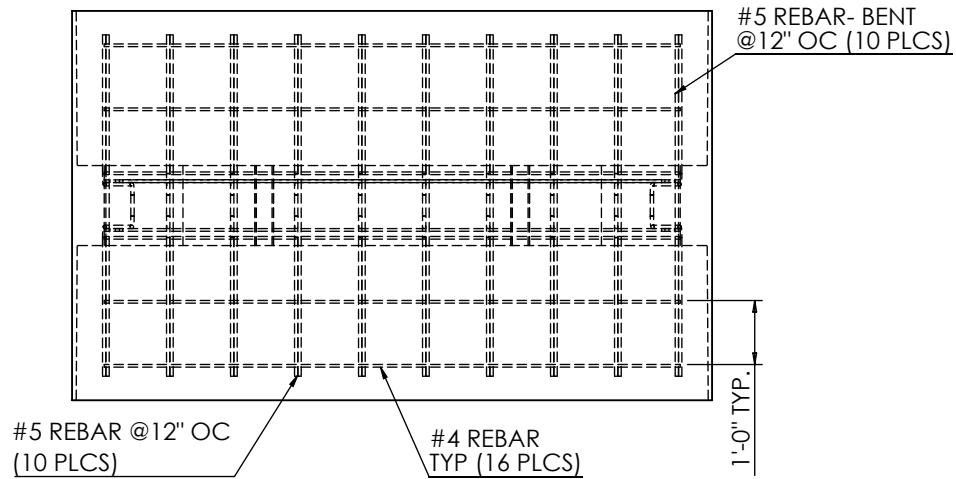
**PROPRIETARY AND CONFIDENTIAL**  
 THE INFORMATION CONTAINED IN THIS DRAWING IS THE SOLE PROPERTY OF LPG VENTURES, INC. ANY REPRODUCTION IN PART OR AS A WHOLE WITHOUT THE WRITTEN PERMISSION OF LPG VENTURES, INC. IS PROHIBITED.

**REVISIONS**

NO.	DESCRIPTION	DRW	QCM	DATE
0	APPROVED FOR FAB.	CH	CH	05/02/19
1	REVISED REBAR DETAIL	CH	CH	01/07/21

**LPG Ventures, Inc.**  
 971 North Jefferson Street  
 Kearney, MO 64060  
 (816) 903-1806  
 Fax: (816) 903-1810  
 Toll Free: (888) 739 8764

DESCRIPTION: PRECAST PIER FOR 60" OD TANK	
DWG NO:	PIER 60
SCALE:	SHEET 1 OF 2
REV:	1

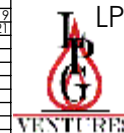


TOLERANCES: INCHES  
FRACTIONAL  $\pm 1/8$   
ANGULAR  $\pm 1^\circ$

**PROPRIETARY AND CONFIDENTIAL**  
THE INFORMATION CONTAINED IN THIS DRAWING IS THE SOLE PROPERTY OF LPG VENTURES, INC. ANY REPRODUCTION IN PART OR AS A WHOLE WITHOUT THE WRITTEN PERMISSION OF LPG VENTURES, INC. IS PROHIBITED.

REVISIONS

NO	DESCRIPTION	DRW	QCM	DATE
0	APPROVED FOR FAB.	CH	CH	05/02/19
1	REVISED REBAR DETAILS	CH	CH	01/07/21



**LPG Ventures, Inc.**  
971 North Jefferson Street  
Kearney, MO 64060  
(816) 903-1806  
Fax: (816) 903-1810  
Toll Free: (888) 739 8764

DESCRIPTION:  
PRECAST PIER FOR 60" OD TANK

DWG NO: **PIER 60**

SCALE: **SHEET 2 OF 2** REV: **1**