

**LPG VENTURES**  
 971 N Jefferson St  
 Kearney, MO 64060  
 816-737-1306 FAX: 816-903-1810  
 lpgventures.com

- NOTES:
1. See SHEET 2 for rebar detail.
  2. Reflects .75" felt allowance.
  3. Spacing varies for each tank size. See PIER INSTALLATION drawing.
  4. MATERIAL: 5000 psi CONCRETE
  5. 3" I.D. Schedule 40 THRU (2)
  6. GRADE may vary.
  7. Engineering "sign offs", data and/or additional information available upon request.

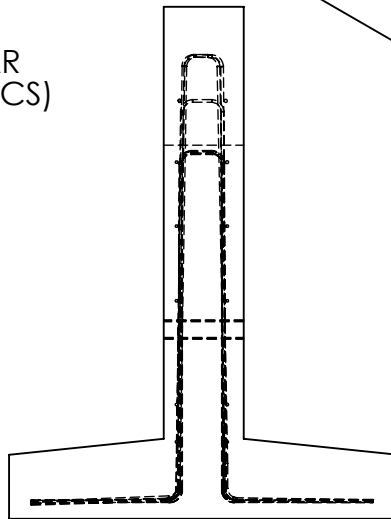
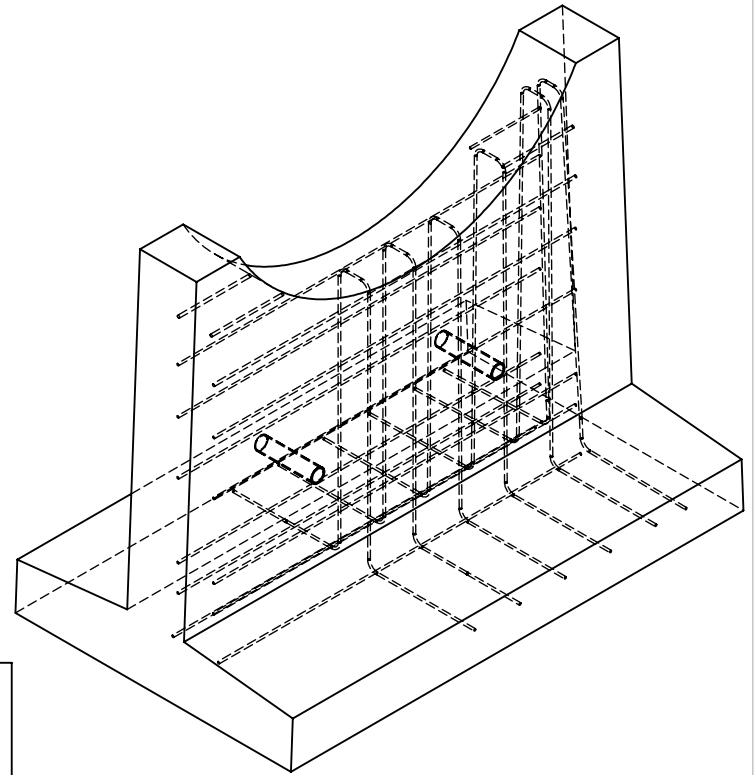
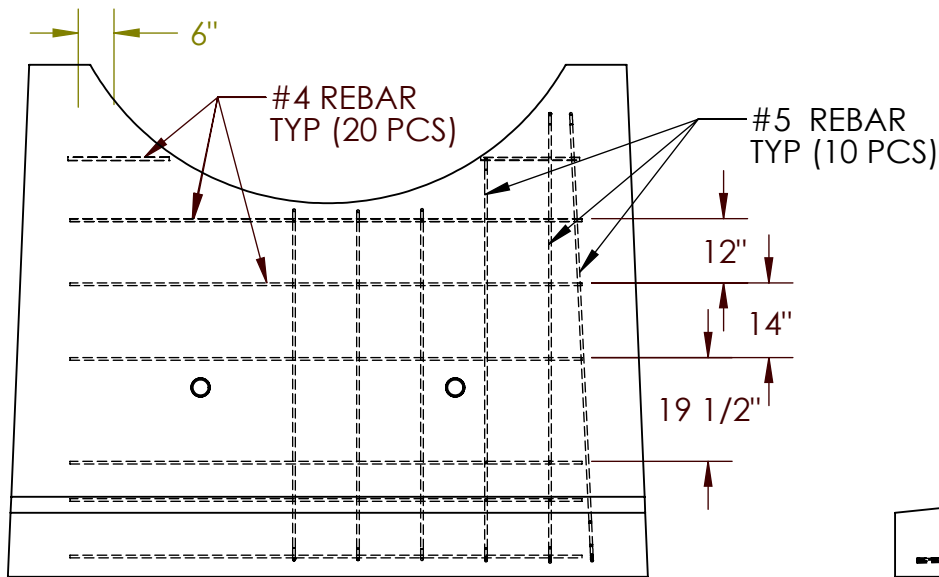
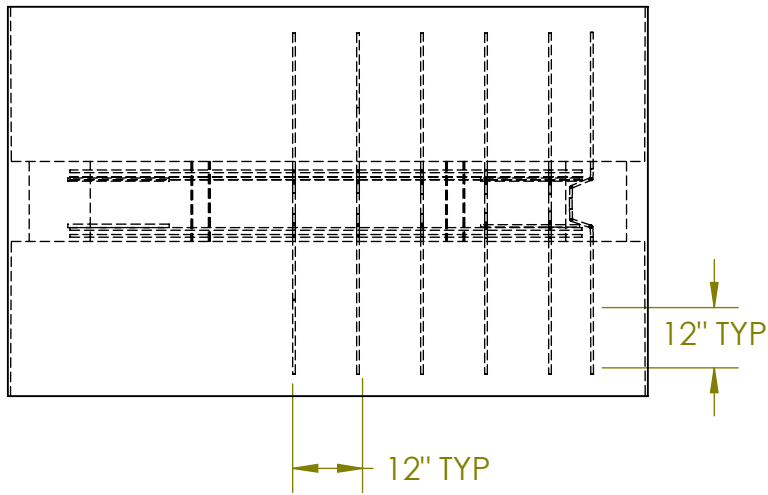
**PROPRIETARY AND CONFIDENTIAL**

THE INFORMATION CONTAINED IN THIS DRAWING IS THE SOLE PROPERTY OF LPG VENTURES. ANY REPRODUCTION IN PART OR AS A WHOLE WITHOUT THE WRITTEN PERMISSION OF LPG VENTURES IS PROHIBITED.



DRAWN \_\_\_\_\_ DATE 10/4/10  
 CHECKED \_\_\_\_\_

TITLE: <b>Pier for 96" O.D. Tank</b>	
SIZE <b>A</b>	DWG. NO. <b>PIER 96</b>
SCALE: 1:48	SHEET 1 OF 2



REBAR DETAIL

LPG VENTURES  
 971 N Jefferson St  
 Kearney, MO 64060  
 816-737-1306 FAX: 816-903-1810  
 lpgventures.com

PROPRIETARY AND CONFIDENTIAL

THE INFORMATION CONTAINED IN THIS DRAWING IS THE SOLE PROPERTY OF LPG VENTURES. ANY REPRODUCTION IN PART OR AS A WHOLE WITH OUT THE WRITTEN PERMISSION OF LPG VENTURES IS PROHIBITED.



DRAWN  
 CHECKED  
 DATE 10/4/10

TITLE:  
 Pier for 96" O.D. Tank

SIZE DWG. NO.  
**A** PIER 96

SCALE: 1:48

SHEET 2 OF 2