

- NOTES:
1. See SHEET 2 for rebar detail.
  2. Reflects .75" felt allowance.
  3. Spacing varies for each tank size. See PIER INSTALLATION drawing.
  4. MATERIAL: 5000 psi CONCRETE
  5. 3" I.D. Schedule 40 THRU (2)
  6. GRADE may vary.
  7. Engineering "sign offs", data and/or additional information available upon request.

PROPRIETARY AND CONFIDENTIAL  
 THE INFORMATION CONTAINED IN THIS  
 DRAWING IS THE SOLE PROPERTY OF  
 LPG VENTURES. ANY REPRODUCTION  
 IN PART OR AS A WHOLE WITH OUT THE  
 WRITTEN PERMISSION OF LPG VENTURES  
 IS PROHIBITED.



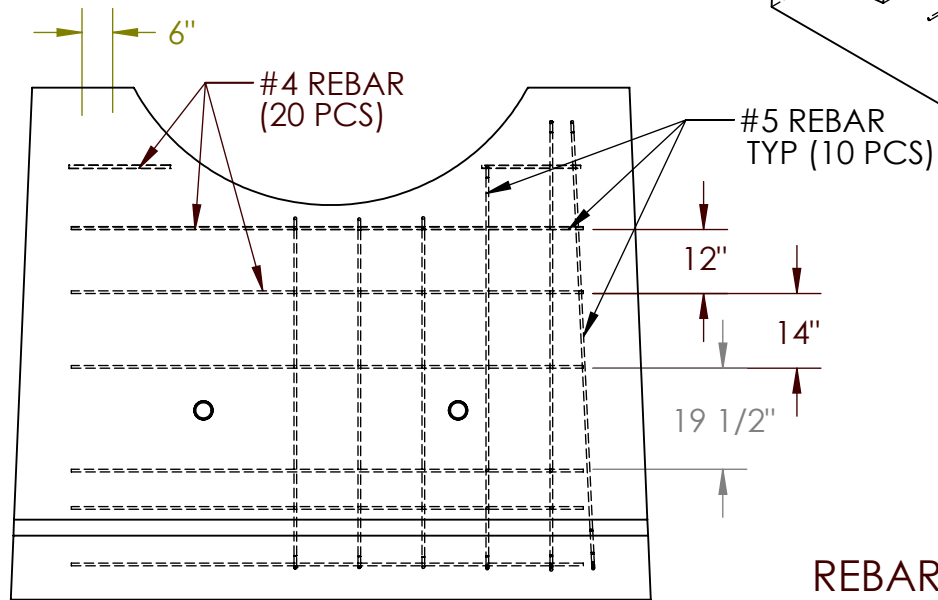
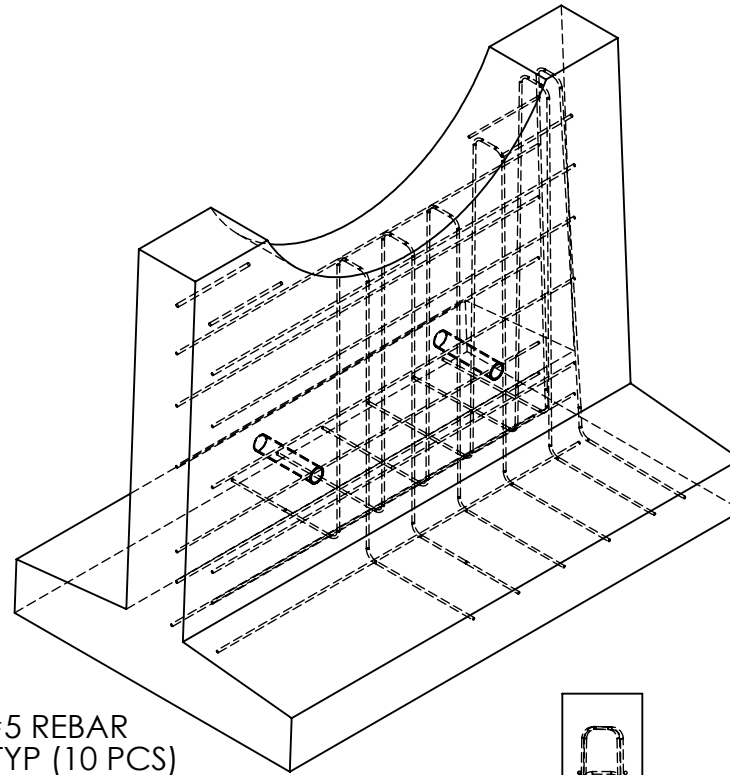
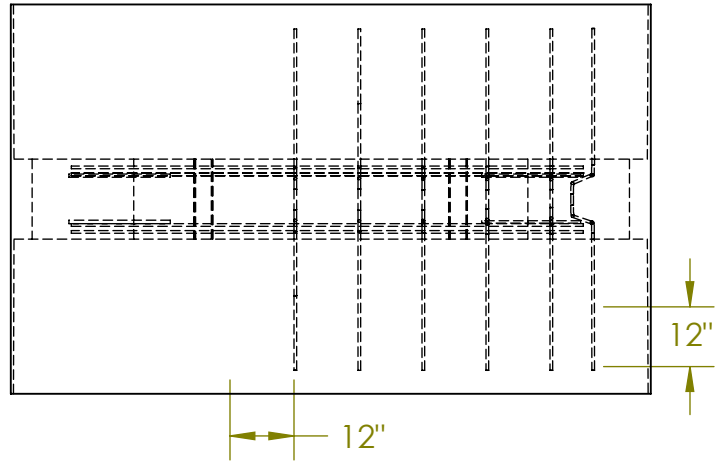
**LPG VENTURES**  
 971 N Jefferson St  
 Kearney, MO 64060  
 816-737-1306 FAX: 816-737-1390  
 lpgventures.com

TITLE:  
**Pier for 84" O.D. Tank**

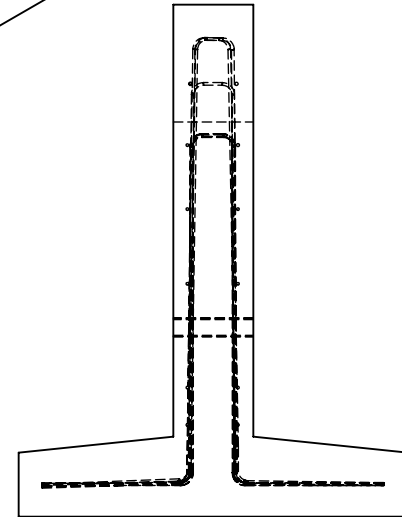
SIZE DWG. NO.  
**A PIER 84**

|         |                 |
|---------|-----------------|
| DRAWN   | DATE<br>10/4/10 |
| CHECKED |                 |

SCALE: AS NOTED SHEET 1 OF 2



REBAR DETAIL



**LPG VENTURES**  
 971 N Jefferson St  
 Kearney, MO 64060  
 816-737-1306 FAX: 816-737-1390  
 lpgventures.com



PROPRIETARY AND CONFIDENTIAL

THE INFORMATION CONTAINED IN THIS DRAWING IS THE SOLE PROPERTY OF LPG VENTURES. ANY REPRODUCTION IN PART OR AS A WHOLE WITHOUT THE WRITTEN PERMISSION OF LPG VENTURES IS PROHIBITED.

**VENTURES**

DRAWN  
 CHECKED

DATE  
 10/5/10

TITLE:  
**Pier for 84" O.D. Tank**

SIZE DWG. NO.  
**A PIER 84**

SCALE: 1:48

SHEET 2 OF 2