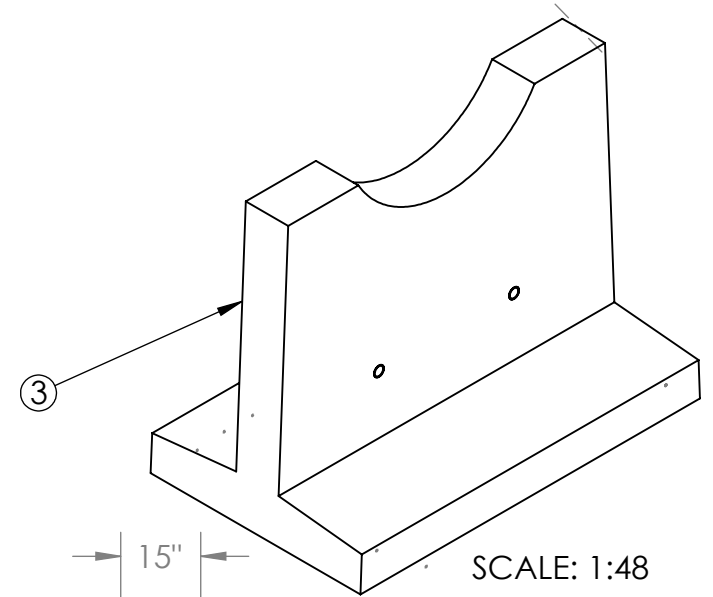
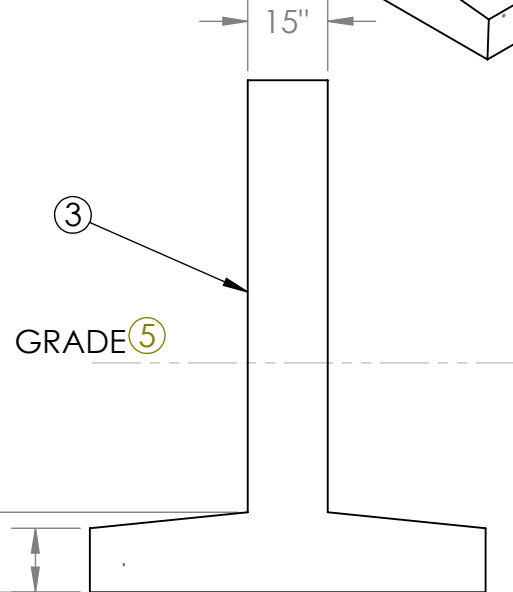
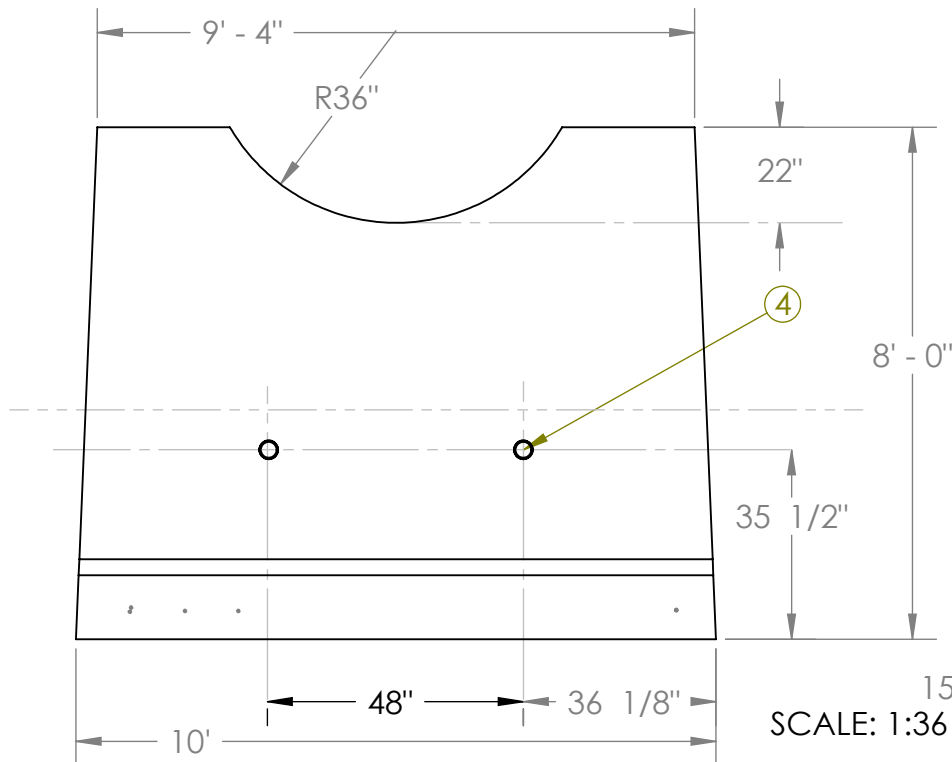


SCALE: 1:96



SCALE: 1:48



SCALE: 1:36

- NOTES:
1. SEE SHEET 2 FOR REBAR DEAIL
 2. SPACING VARIES FOR EACH TANK SIZE.
 3. MATERIAL: 5000psi CONCRETE
 4. 3" I.D. PVC THRU (2)
 5. GRADE MAY VARY
 6. ENGINEERING DATA AVAILABLE UPON REQUEST.

PROPRIETARY AND CONFIDENTIAL
 THE INFORMATION CONTAINED IN THIS DRAWING IS THE SOLE PROPERTY OF LPG VENTURES. ANY REPRODUCTION IN PART OR AS A WHOLE WITH OUT THE WRITTEN PERMISSION OF LPG VENTURES IS PROHIBITED.



VENTURES

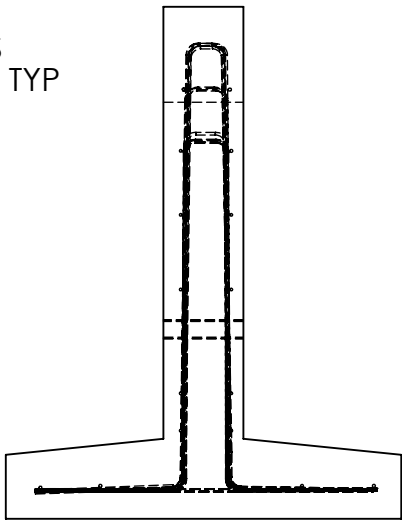
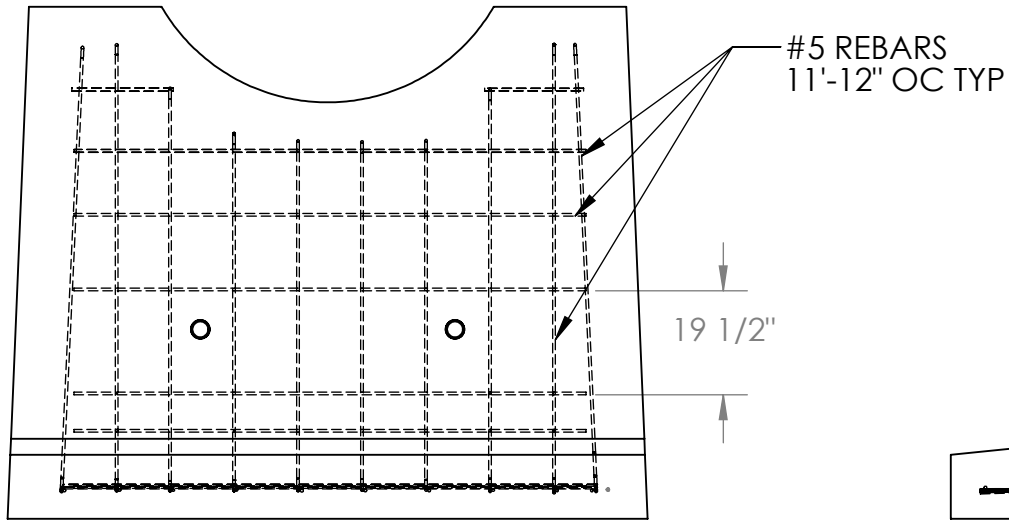
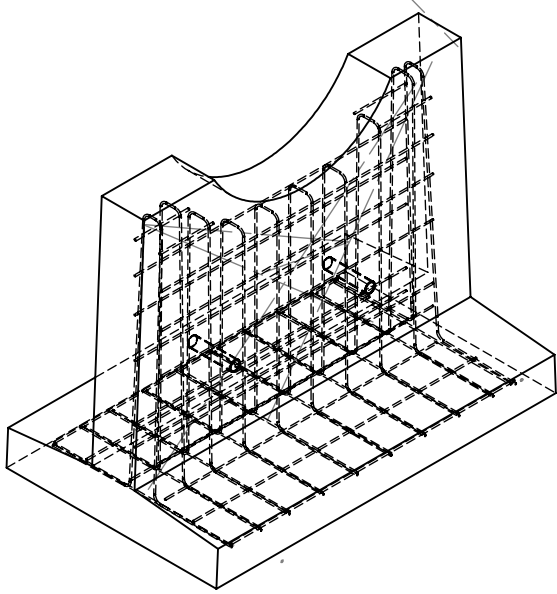
DRAWN	DATE 10/4/10
CHECKED	

TITLE:
Pier for 72" O.D. Tank

SIZE DWG. NO.
A PIER 72

SCALE: AS NOTED

SHEET 1 OF 2



VENTURES

PROPRIETARY AND CONFIDENTIAL

THE INFORMATION CONTAINED IN THIS DRAWING IS THE SOLE PROPERTY OF LPG VENTURES. ANY REPRODUCTION IN PART OR AS A WHOLE WITH OUT THE WRITTEN PERMISSION OF LPG VENTURES IS PROHIBITED.

DRAWN _____ DATE 10/4/10
 CHECKED _____

TITLE:
Pier for 72" O.D. Tank

SIZE DWG. NO.
A PIER 72

SCALE: 1:48 SHEET 2 OF 2