

**NOTES:**

1. See SHEET 2 for rebar detail.
2. Reflects .75" felt allowance.
3. Spacing varies for each tank size. See PIER INSTALLATION drawing.
4. MATERIAL: 5000psi CONCRETE
5. 3" I.D. Schedule 40 THRU (2)
6. GRADE may vary.
7. Engineering "sign offs", data and/or additional information available upon request.

**PROPRIETARY AND CONFIDENTIAL**

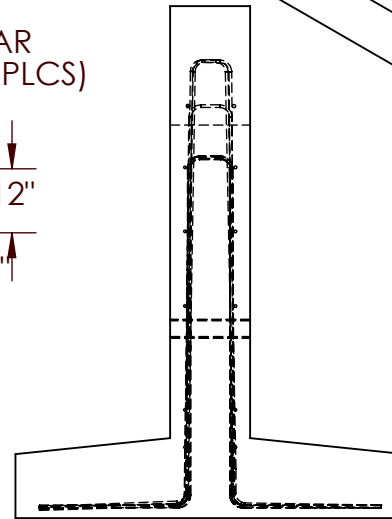
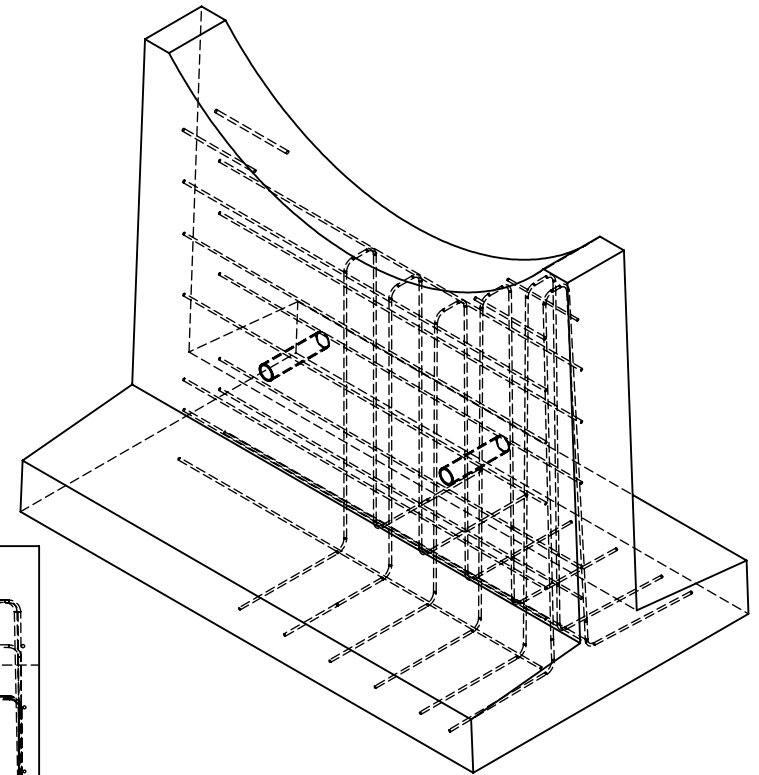
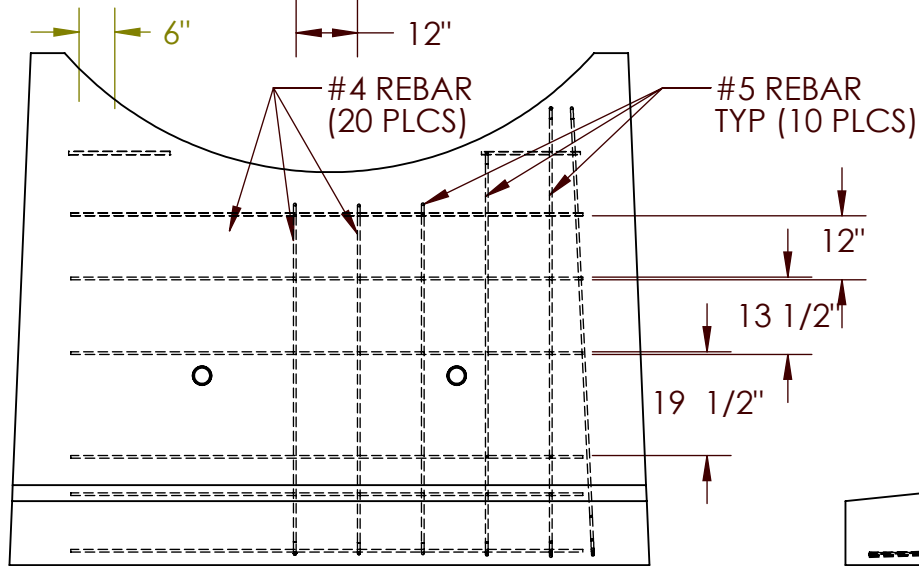
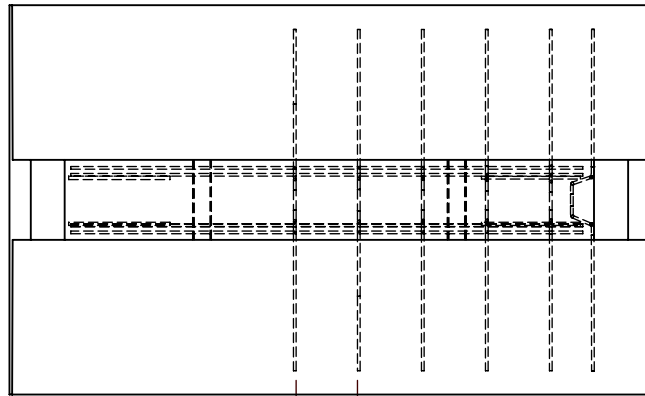
THE INFORMATION CONTAINED IN THIS DRAWING IS THE SOLE PROPERTY OF LPG VENTURES. ANY REPRODUCTION IN PART OR AS A WHOLE WITHOUT THE WRITTEN PERMISSION OF LPG VENTURES IS PROHIBITED.



**VENTURES**

DRAWN	DATE
CHECKED	10/4/10

<b>LPG VENTURES</b> 971 N Jefferson St Kearney, MO 64060 816-737-1306 FAX: 816-903-1810 lpgventures.com	
TITLE: <b>Pier for 131.875" O.D. Tank</b>	
SIZE <b>A</b>	DWG. NO. <b>PIER 131</b>
SCALE: AS NOTED	SHEET 1 OF 2



**LPG VENTURES**  
 971 N Jefferson St  
 Kearney, MO 64060  
 816-737-1306 FAX: 816-903-1810  
 lpgventures.com



**VENTURES**

**PROPRIETARY AND CONFIDENTIAL**

THE INFORMATION CONTAINED IN THIS DRAWING IS THE SOLE PROPERTY OF LPG VENTURES. ANY REPRODUCTION IN PART OR AS A WHOLE WITHOUT THE WRITTEN PERMISSION OF LPG VENTURES IS PROHIBITED.

DRAWN  
 CHECKED  
 DATE 10/4/10

TITLE:  
**Pier for 131.875" O.D. Tank**

SIZE DWG. NO.  
**A PIER 131**

SCALE: 1:48

SHEET 2 OF 2