

**NOTES:**

1. See SHEET 2 for rebar detail.
2. Reflects .75" felt allowance.
3. Spacing varies for each tank size. See PIER INSTALLATION drawing.
4. MATERIAL: 5000psi CONCRETE
5. 3" I.D. Schedule 40 THRU (2)
6. GRADE may vary.
7. Engineering "sign offs", data and/or additional information available upon request.

**PROPRIETARY AND CONFIDENTIAL**

THE INFORMATION CONTAINED IN THIS DRAWING IS THE SOLE PROPERTY OF LPG VENTURES. ANY REPRODUCTION IN PART OR AS A WHOLE WITHOUT THE WRITTEN PERMISSION OF LPG VENTURES IS PROHIBITED.

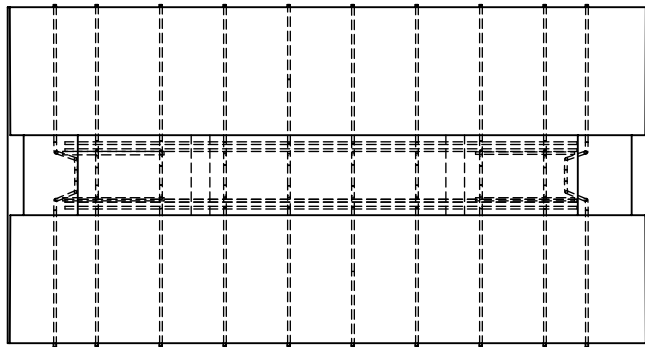


**VENTURES**

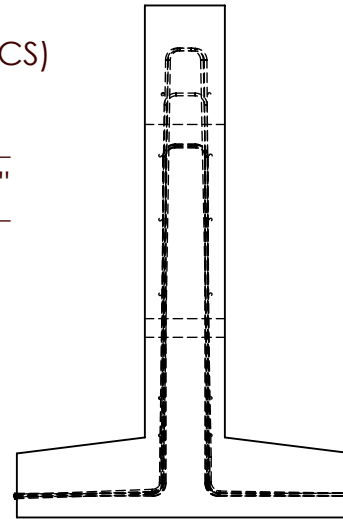
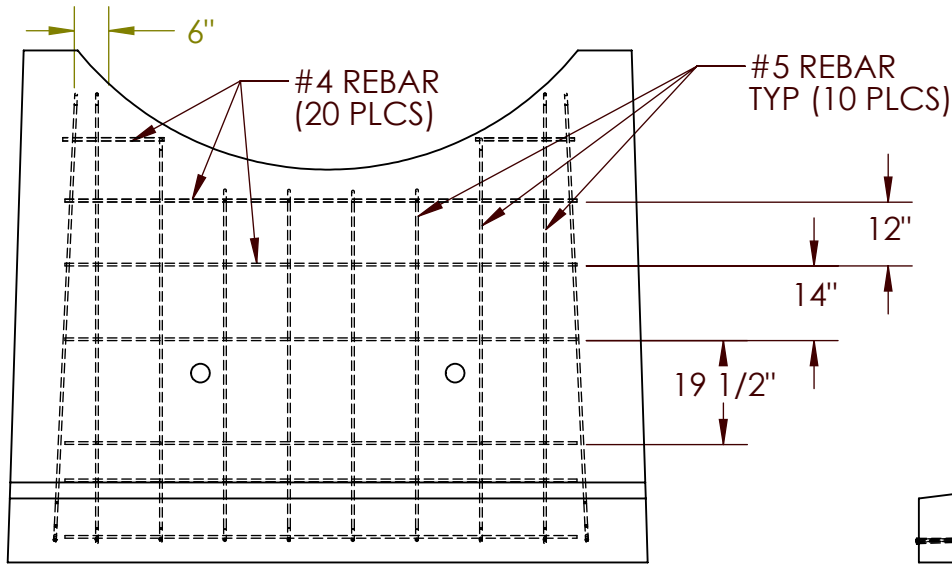
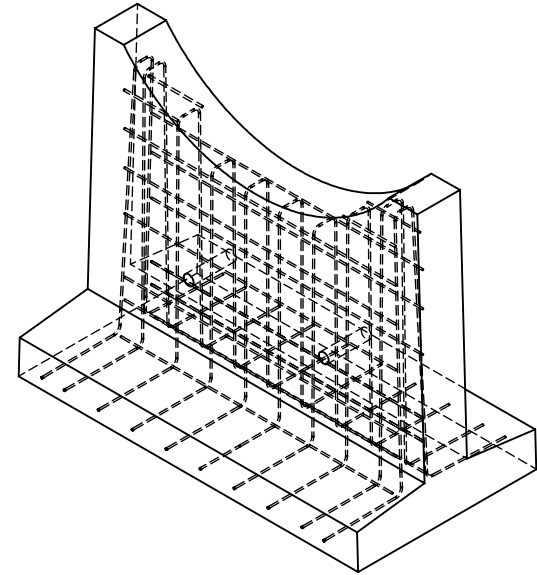
DRAWN **Bud** DATE 10/4/10  
 CHECKED

TITLE: <b>Pier for 120" O.D. Tank</b>	
SIZE <b>A</b>	DWG. NO. <b>PIER 120</b>
SCALE: 1:48	SHEET 1 OF 2

**LPG VENTURES**  
 971 N Jefferson St  
 Kearney, MO 64060  
 816-737-1306 FAX: 816-903-1810  
 lpgventures.com



12" TYP



**LPG VENTURES**  
 971 N Jefferson St  
 Kearney, MO 64060  
 816-737-1306 FAX: 816-903-1810  
 lpgventures.com

### REBAR DETAIL

**PROPRIETARY AND CONFIDENTIAL**

THE INFORMATION CONTAINED IN THIS DRAWING IS THE SOLE PROPERTY OF LPG VENTURES. ANY REPRODUCTION IN PART OR AS A WHOLE WITHOUT THE WRITTEN PERMISSION OF LPG VENTURES IS PROHIBITED.



**VENTURES**

DRAWN	<b>Bud</b>	DATE	10/4/10
CHECKED			

TITLE:  
**Pier for 120" O.D. Tank**

SIZE	DWG. NO.
<b>A</b>	<b>PIER 120</b>

SCALE: 1:48

SHEET 2 OF 2