

- NOTES:
1. See SHEET 2 for rebar detail.
  2. Reflects .75" felt allowance.
  3. Spacing varies for each tank size. See PIER INSTALLATION drawing.
  4. MATERIAL: 5000psi CONCRETE
  5. 3" I.D. Schedule 40 THRU (2)
  6. GRADE may vary.
  7. Engineering "sign offs", data and/or additional information available upon request.

PROPRIETARY AND CONFIDENTIAL

THE INFORMATION CONTAINED IN THIS DRAWING IS THE SOLE PROPERTY OF LPG VENTURES. ANY REPRODUCTION IN PART OR AS A WHOLE WITHOUT THE WRITTEN PERMISSION OF LPG VENTURES IS PROHIBITED.



VENTURES

DRAWN  
Bud  
CHECKED

DATE  
10/4/10

LPG VENTURES

971 N Jefferson St  
Kearney, MO 64060  
816-737-1306 FAX: 816-903-1810  
lpgventures.com

TITLE:

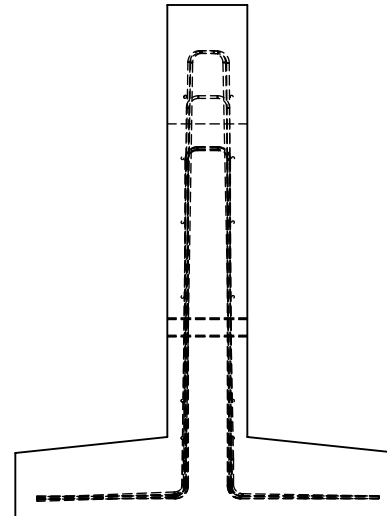
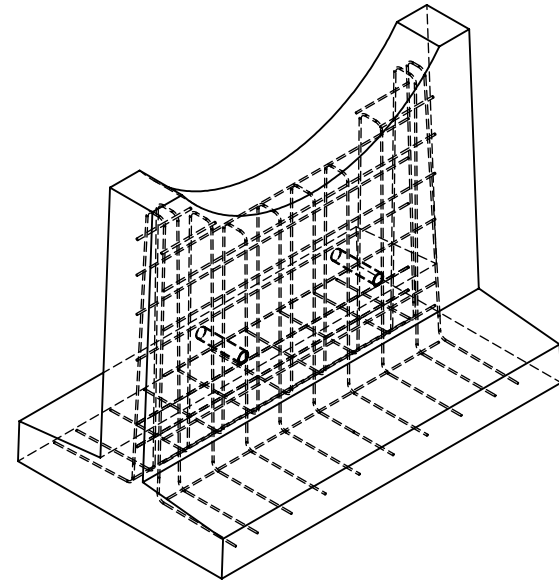
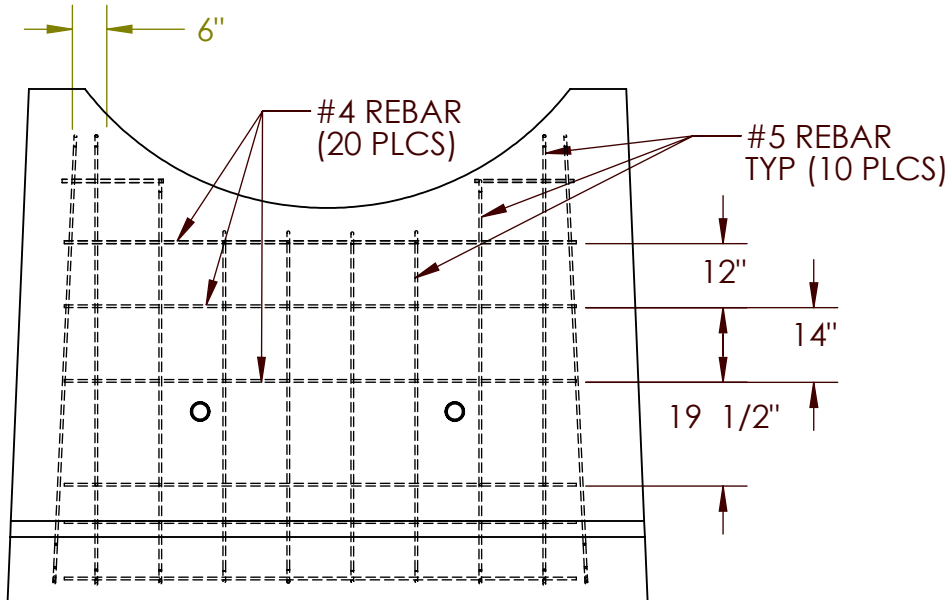
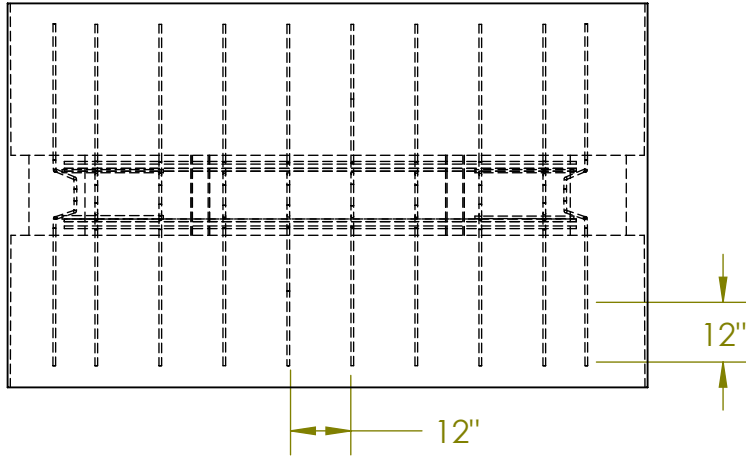
Pier for 114.375" O.D. Tank

SIZE DWG. NO.

**A** PIER 114

SCALE: 1:48

SHEET 1 OF 2



**LPG VENTURES**  
 971 N Jefferson St  
 Kearney, MO 64060  
 816-737-1306 FAX: 816-903-1810  
 lpgventures.com



**PROPRIETARY AND CONFIDENTIAL**

THE INFORMATION CONTAINED IN THIS DRAWING IS THE SOLE PROPERTY OF LPG VENTURES. ANY REPRODUCTION IN PART OR AS A WHOLE WITHOUT THE WRITTEN PERMISSION OF LPG VENTURES IS PROHIBITED.

**VENTURES**

DRAWN	<b>Bud</b>	DATE	10/4/10
CHECKED			

TITLE:  
**Pier for 114.375" O.D. Tank**

SIZE	DWG. NO.
<b>A</b>	<b>PIER 114</b>

SCALE: 1:48

SHEET 2 OF 2