

**LPG VENTURES**  
 971 N Jefferson St  
 Kearney, MO 64060  
 816-737-1306 FAX: 816-903-1810  
 lpgventures.com

- NOTES:**
1. See SHEET 2 for rebar detail.
  2. Reflects .75" felt allowance.
  3. Spacing varies for each tank size. See PIER INSTALLATION drawing.
  4. MATERIAL: 5000psi CONCRETE
  5. 3" I.D. Schedule 40 THRU (2)
  6. GRADE may vary.
  7. Engineering "sign offs", data and/or additional information available upon request.

**PROPRIETARY AND CONFIDENTIAL**

THE INFORMATION CONTAINED IN THIS DRAWING IS THE SOLE PROPERTY OF LPG VENTURES. ANY REPRODUCTION IN PART OR AS A WHOLE WITHOUT THE WRITTEN PERMISSION OF LPG VENTURES IS PROHIBITED.



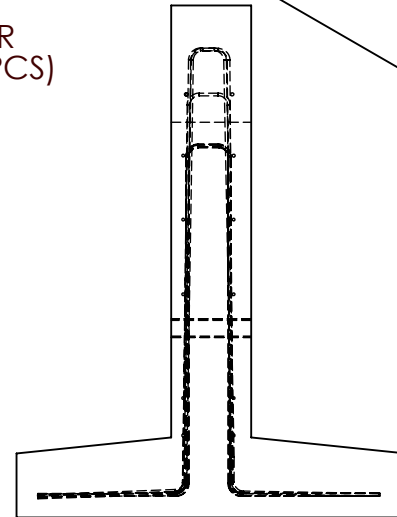
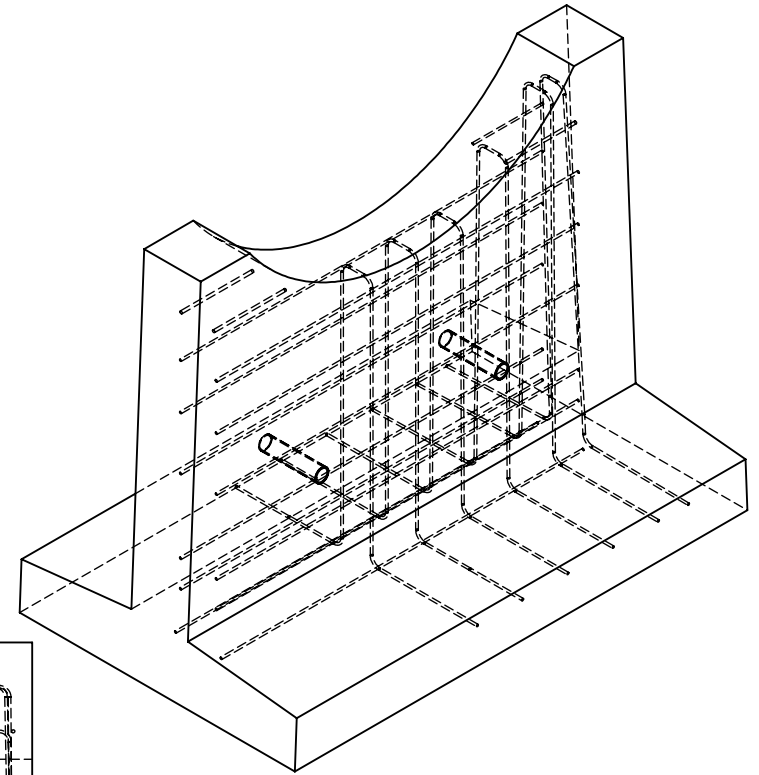
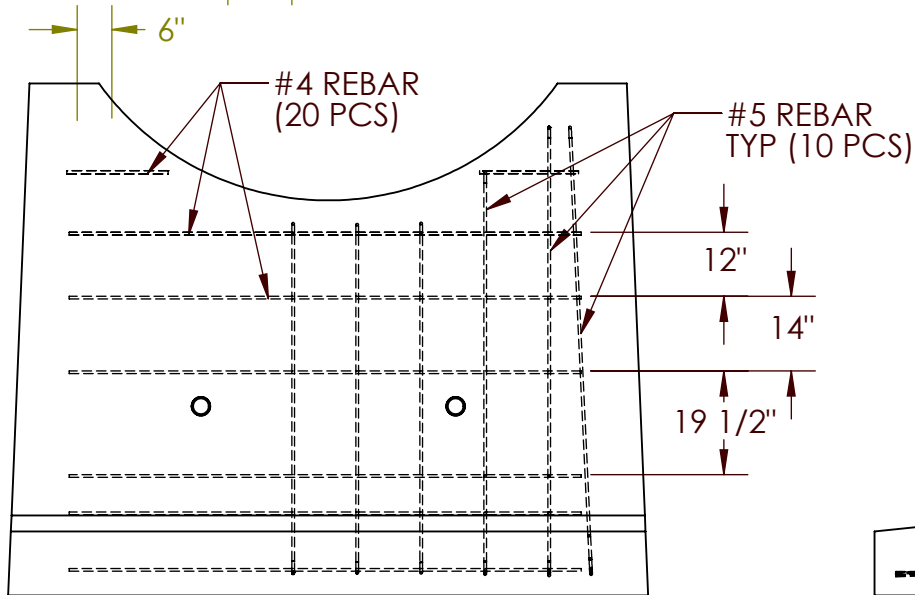
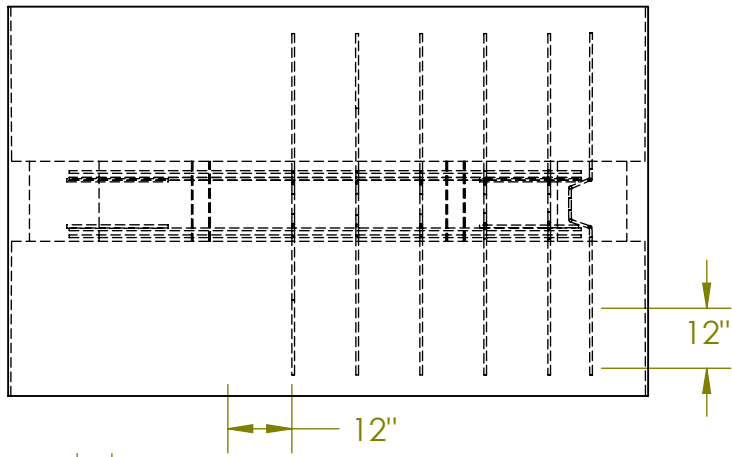
DRAWN \_\_\_\_\_ DATE 10/4/10  
 CHECKED \_\_\_\_\_

TITLE:  
**Pier for 105.5" O.D. Tank**

SIZE DWG. NO.  
**A PIER 105**

SCALE: AS NOTED

SHEET 1 OF 2



REBAR DETAIL

LPG VENTURES  
 971 N Jefferson St  
 Kearney, MO 64060  
 816-737-1306 FAX: 816-903-1810  
 lpgventures.com



VENTURES

PROPRIETARY AND CONFIDENTIAL

THE INFORMATION CONTAINED IN THIS DRAWING IS THE SOLE PROPERTY OF LPG VENTURES. ANY REPRODUCTION IN PART OR AS A WHOLE WITHOUT THE WRITTEN PERMISSION OF LPG VENTURES IS PROHIBITED.

DRAWN

DATE  
10/5/10

CHECKED

TITLE:  
Pier for 105.5" O.D. Tank

SIZE DWG. NO.  
**A** PIER 105

SCALE: 1:48

SHEET 2 OF 2