

**NOTES:**

1. See SHEET 2 for rebar detail.
2. Reflects .75" felt allowance.
3. Spacing varies for each tank size. See PIER INSTALLATION drawing.
4. MATERIAL: 5000psi CONCRETE
5. 3" I.D. Schedule 40 THRU (2)
6. GRADE may vary.
7. Engineering "sign offs", data and/or additional information available upon request.

TOLERANCES: INCHES  
 FRACTIONAL  $\pm 1/8$   
 ANGULAR  $\pm 1^\circ$

**PROPRIETARY AND CONFIDENTIAL**  
 THE INFORMATION CONTAINED IN THIS DRAWING IS THE SOLE PROPERTY OF LPG VENTURES, INC. ANY REPRODUCTION IN PART OR AS A WHOLE WITHOUT THE WRITTEN PERMISSION OF LPG VENTURES, INC. IS PROHIBITED.

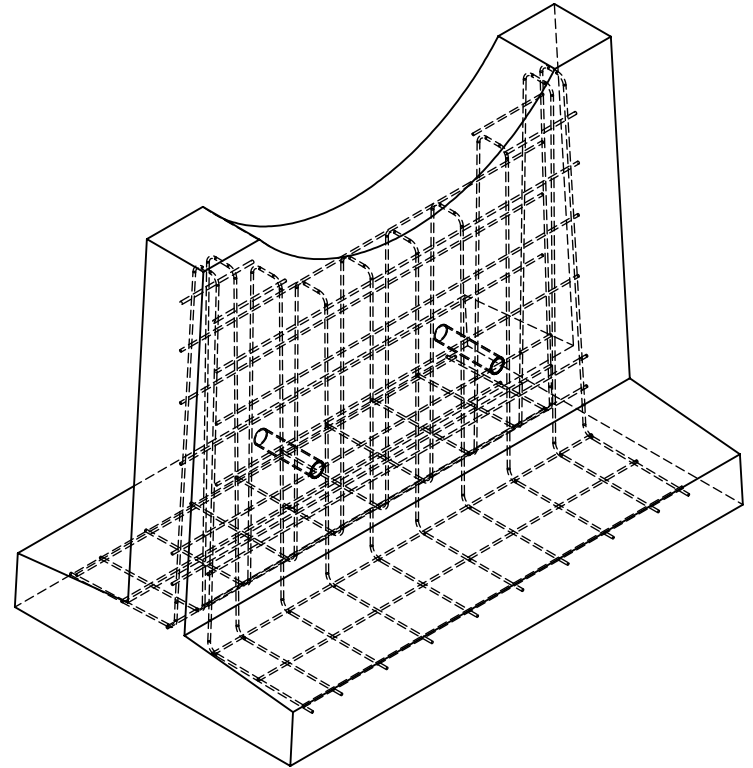
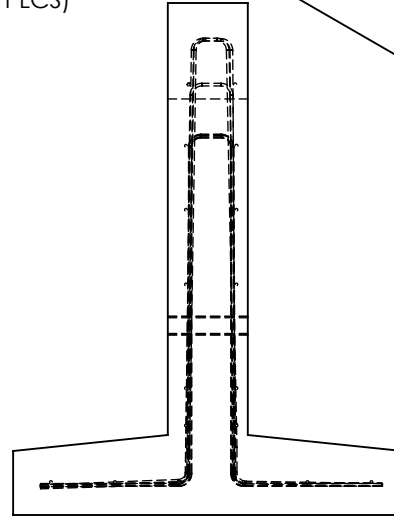
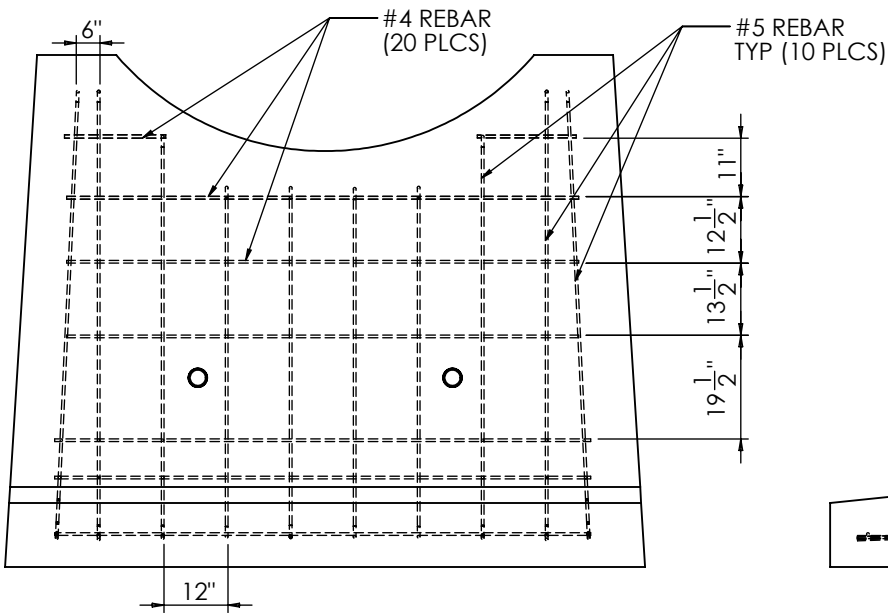
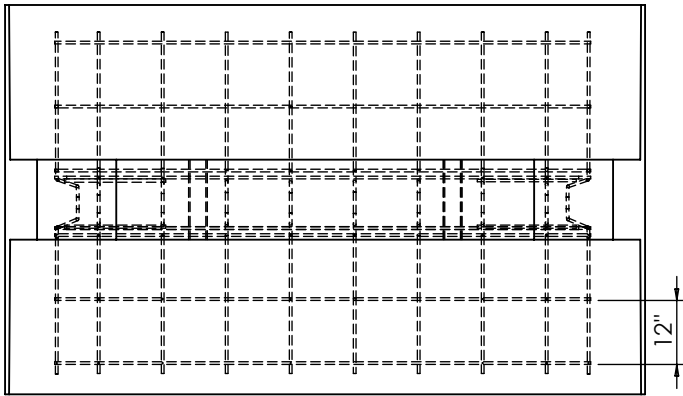
**REVISIONS**

NO.	DESCRIPTION	DRW/QCM	DATE
0	APPROVED FOR FAB.	C.H. C.H.	05/14/15

**LPG Ventures, Inc.**  
 971 North Jefferson Street  
 Kearney, MO 64060  
 (816) 903-1806  
 Fax: (816) 903-1810  
 Toll Free: (888) 739-8764



DESCRIPTION: PRECAST PIER FOR 102" OD TANK	
DWG NO:	PIER 102
SCALE:	SHEET 1 OF 2
REV:	0



TOLERANCES: INCHES  
 FRACTIONAL  $\pm 1/8$   
 ANGULAR  $\pm 1^\circ$

**PROPRIETARY AND CONFIDENTIAL**  
 THE INFORMATION CONTAINED IN THIS DRAWING IS THE SOLE PROPERTY OF LPG VENTURES, INC. ANY REPRODUCTION IN PART OR AS A WHOLE WITHOUT THE WRITTEN PERMISSION OF LPG VENTURES, INC. IS PROHIBITED.

REVISIONS

NO.	DESCRIPTION	DRW/QCM	DATE
0	APPROVED FOR FAB.	C.H. C.H.	05/14/15



**LPG Ventures, Inc.**  
 971 North Jefferson Street  
 Kearney, MO 64060  
 (816) 903-1806  
 Fax: (816) 903-1810  
 Toll Free: (888) 739 8764

DESCRIPTION:  
 PRECAST PIER FOR 102" OD TANK

DWG NO: **PIER 102**

SCALE: SHEET 2 OF 2 REV: 0